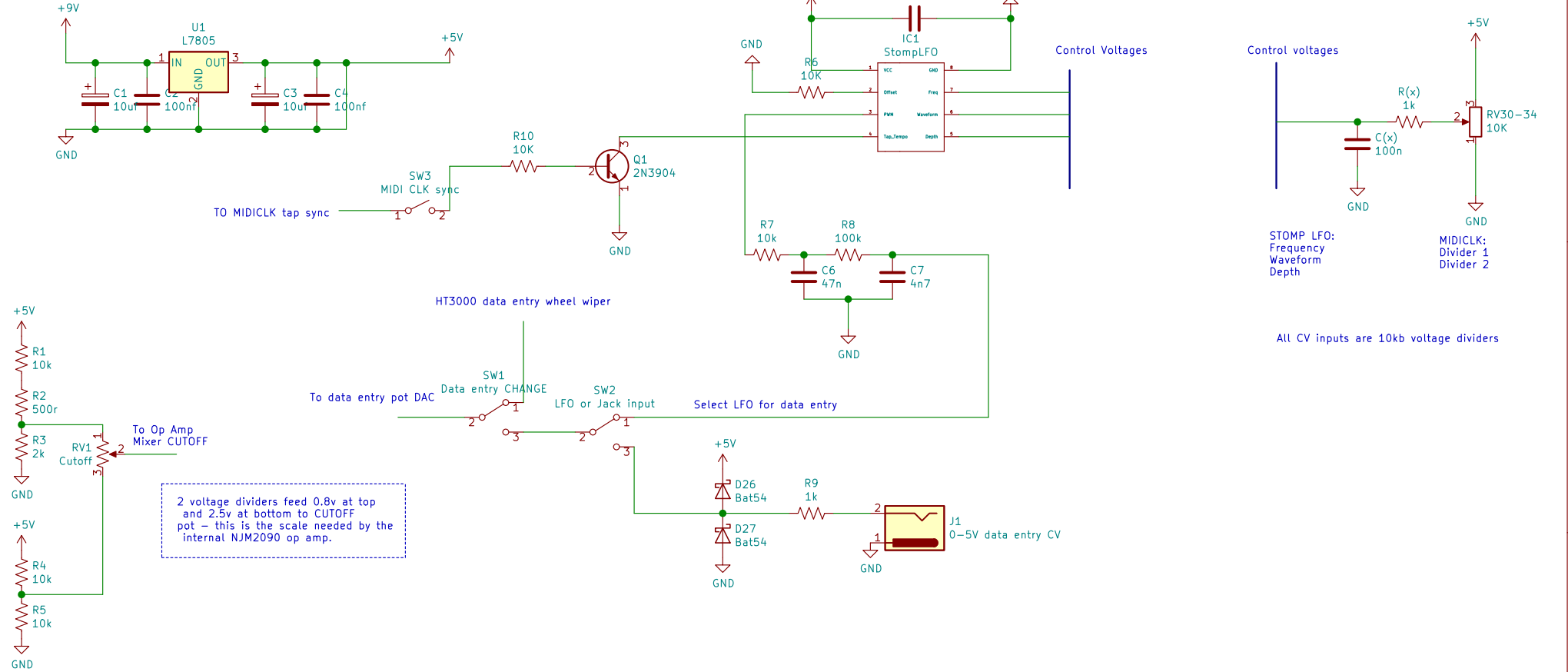
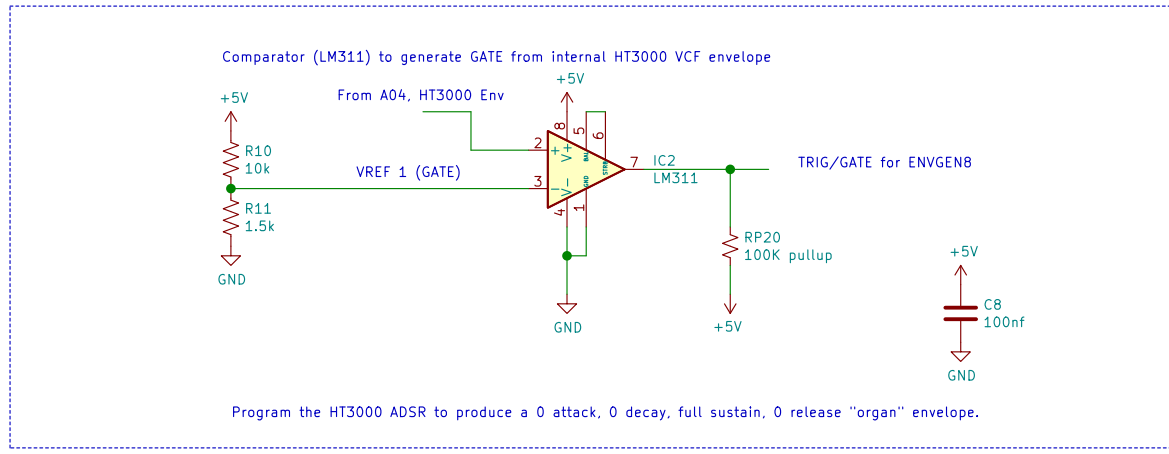


Take this 9v power from the Power amp VCC (9v) from the HT3000, post the on/off switch, otherwise the mod board will be on when the keyboard is off but still plugged in.



2 voltage dividers feed 0.8v at top and 2.5v at bottom to CUTOFF pot – this is the scale needed by the internal NJM2090 op amp.



Program the HT3000 ADSR to produce a 0 attack, 0 decay, full sustain, 0 release "organ" envelope.

CASIO HT3000 Mods: Add Filter IN, Add LFO to VCF, Add manual ADSR, add CV in / LFO to Data Entry	
Sheet: /	File: HT3000.sch
Title: Casio HT3000 Mods	SHEET ONE – Power conditioning, Data entry mod, GATE
Size: A4	Date:
KiCad E.D.A. kicad (5.1.5)–3	Id: 1/1