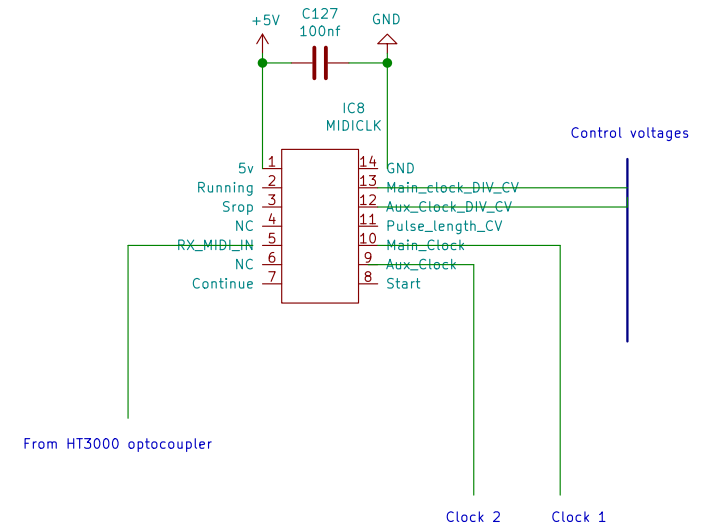
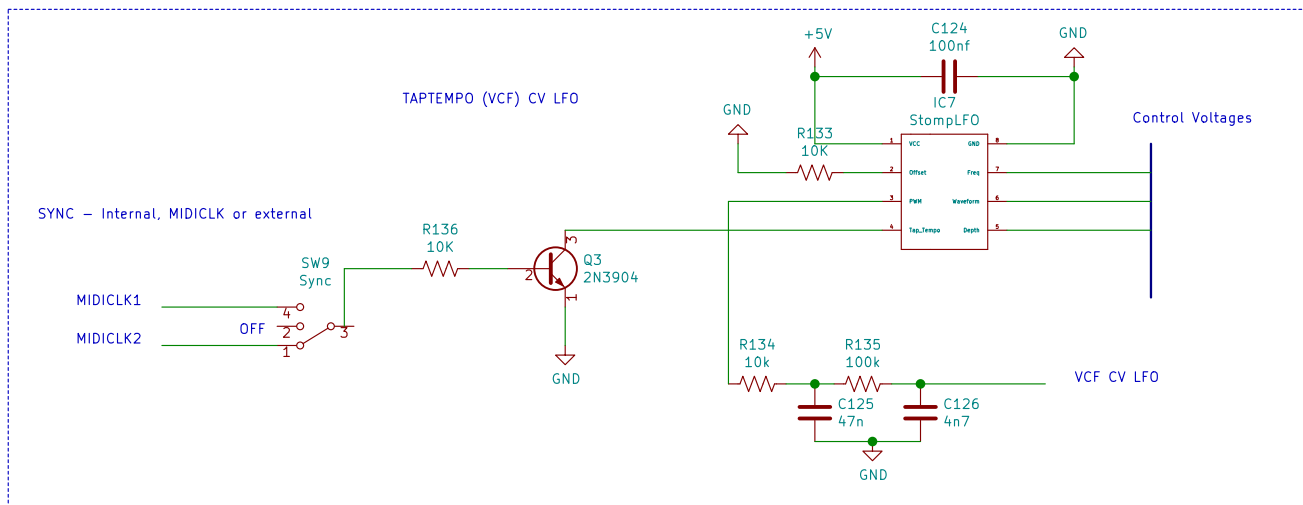
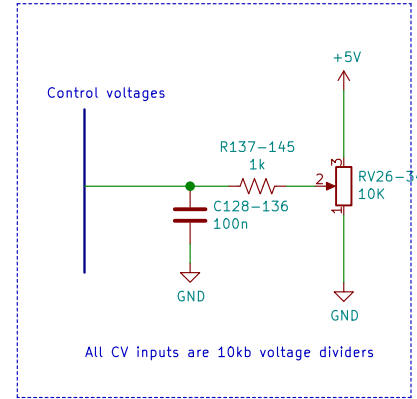
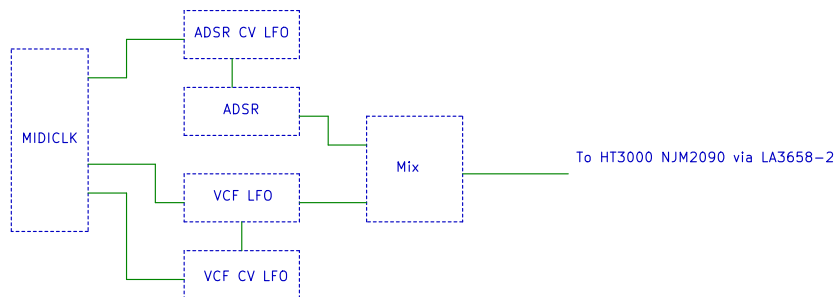


Rate/Wave/Depth x2 for LFOs, Rate 1/Rate2 for MIDICLK
8 in total



Block diagram



CASIO HT3000 Mods: Add Filter IN, Add LFO to VCF, Add manual ADSR, add CV in / LFO to Data Entry

Sheet: /
File: HT3000 sheet 3.sch

Title: Casio HT3000 Mods SHEET ONE – Power conditioning, Data entry mod, GATE

Size: A4

Date:

Rev:

KiCad E.D.A. kicad (5.1.5)–3

Id: 1/1